

# COUNTERTOP/UNDERCOUNTER REPLACEMENT CARTRIDGES

US ITEM #4025/CDN #904025

## REPLACEMENT CARTRIDGE INSTRUCTIONS

**IMPORTANT! READ THESE INSTRUCTIONS COMPLETELY BEFORE  
INSTALLING THE REPLACEMENT CARTRIDGES.**

This product is intended for use on potable cold water supplies only and is not designed for use with water of unsafe or unknown bacteriological quality. For specific contaminant reduction claims see the **Performance Data Sheet** on our web site at [aquasana.com](http://aquasana.com).

**1** To remove the 1/4 inch elbow (countertop) or 1/4 inch hose (under counter), depress the gray sleeve firmly with the included wrench and pull the hose/elbow out as shown in **Figure A**.

**2** With the filter system laying flat on your countertop and hoses still connected, as shown in **Figure B**, remove the threaded filter caps by turning in the direction of the arrow.

**NOTE: IF FILTER CAP IS DIFFICULT TO REMOVE BY HAND, YOU CAN USE A 11/16 WRENCH. TURN IN DIRECTION INDICATED ON THE FILTER CAP.**

**3** Remove both filter cartridges and dispose of them with your trash. These cartridges may be disposed of with your trash, as it poses no environmental hazards.

**4** Check to make sure that the housing O-Rings are still in place as shown in **Figure B**. Next, rub cooking oil around the exposed surface of the housing O-Ring to ensure a proper seal.

INSTRUCTIONS CONTINUE 

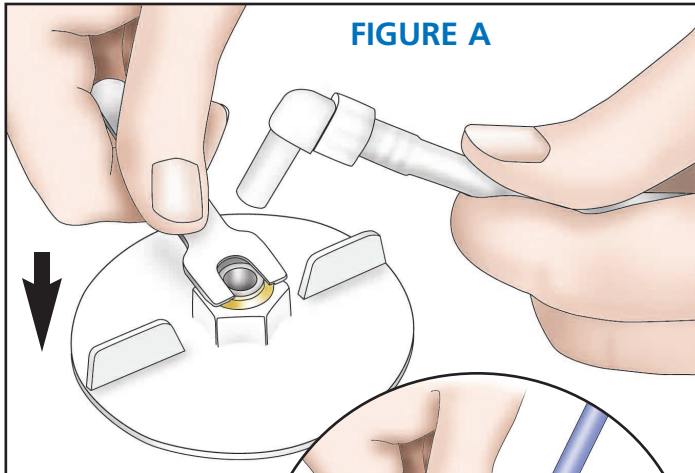


FIGURE A

DEPRESS THE  
GRAY SLEEVE  
FIRMLY DOWN.

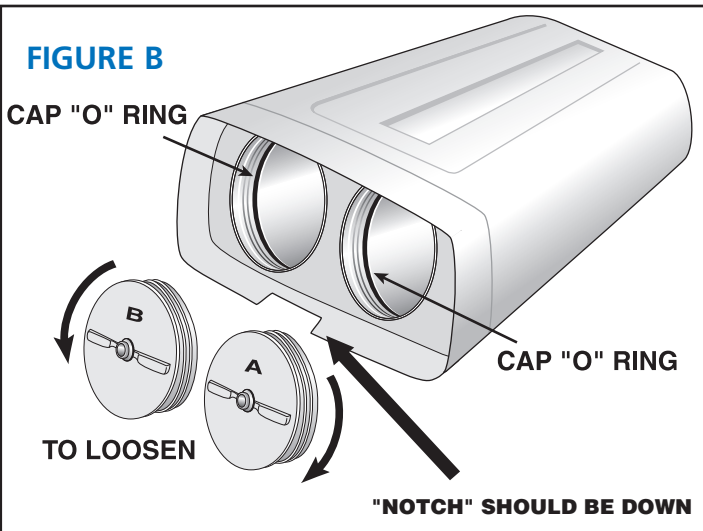
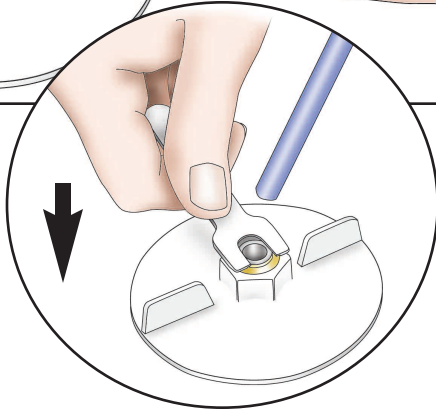


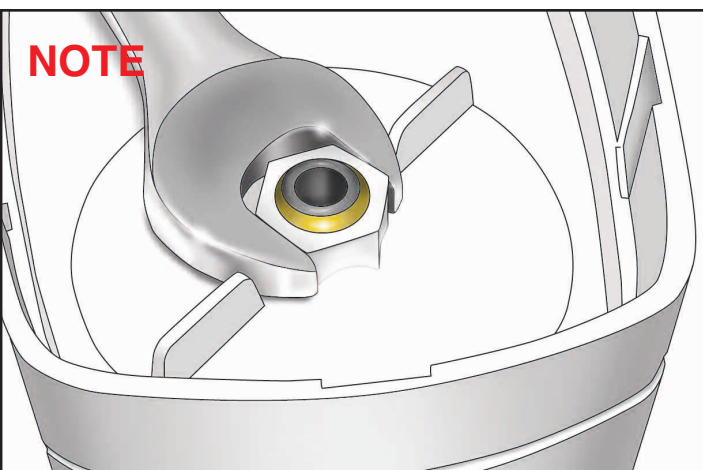
FIGURE B

CAP "O" RING

CAP "O" RING

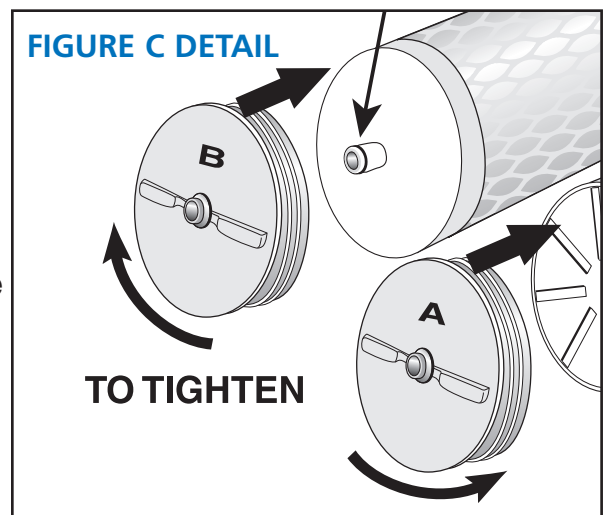
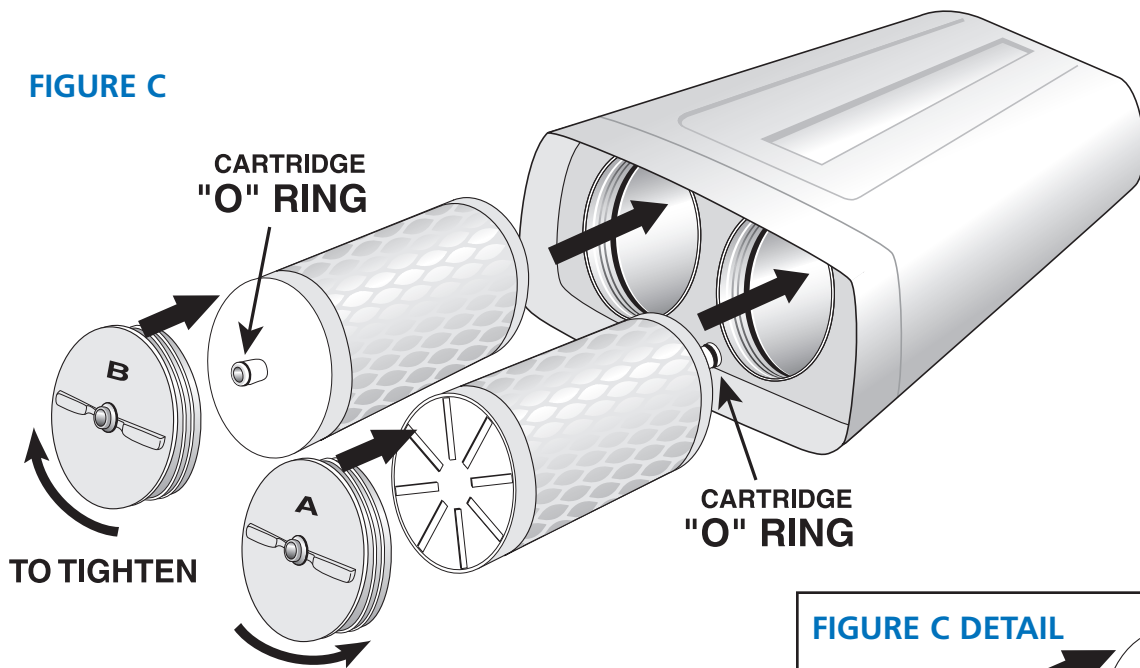
TO LOOSEN

"NOTCH" SHOULD BE DOWN



**NOTE**

**FIGURE C**



**5** As shown in *Figure C*: install the new filter cartridges with the “A” cartridge being placed in the “A” housing core with the O-ringed end first. Install the “B” cartridge into the “B” housing core with the O-Ringed end last.

**6** Once the filter cartridges have been inserted into the correct housing cores **reinstall the threaded caps** by first making sure that the housing O-Rings are in place and have had the surface coated lightly with cooking oil. The cooking oil allows the surface of the threaded cap to glide smoothly on the O-Ring surface for equal compression and to avoid kinking or dislodging of the O-Ring which will result in leaking. The threaded filter caps should be tightened by hand firmly in the opposite direction of the arrows shown on the caps. The “A” cap will tighten by turning it to the left, counter clockwise. The “B” cap will tighten by turning it to the right, clockwise, as shown in *Figure C detail*.

**7** With the filter still lying flat on its side, turn on the cold water and activate the faucet diverter. Allow the water to run and check for leaks around the threaded caps. If any leaks are noticed try tightening the caps slightly more or repeat step 5. If no leaks are noticed, return the filter to the upright position and allow the water to run 2-3 minutes until all cloudiness and discoloration have gone. With a piece of tape or label of some kind, note the date of this replacement on the bottom or backside of the filter housing. be sure to replace the filter cartridges every 6 months for optimum performance.